

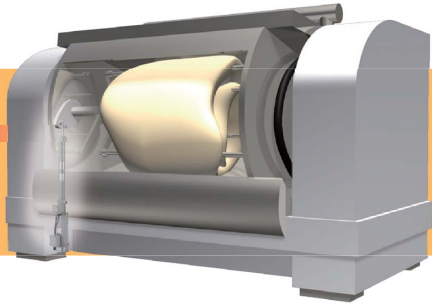


Tsubaki Power and Performance **For the Noodle Making Industry**



Production Process Instant Noodles

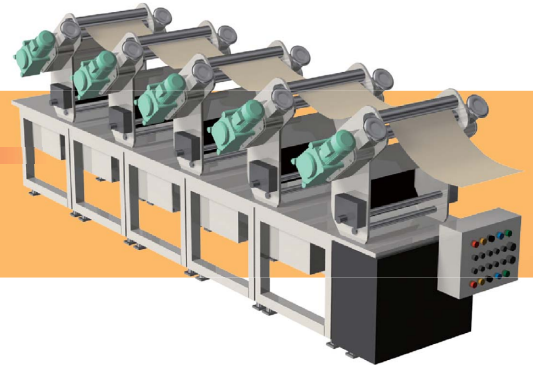
1



Mixer
(kneads dough)

Pg. 3

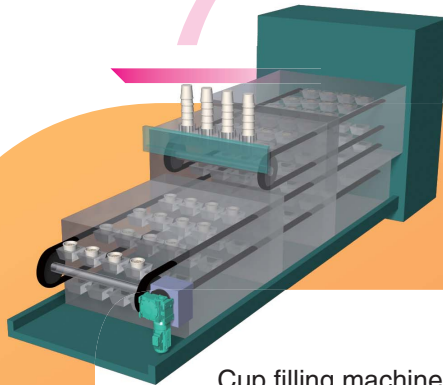
2



Roller
(spreads dough into a thin sheet)

Pg. 3

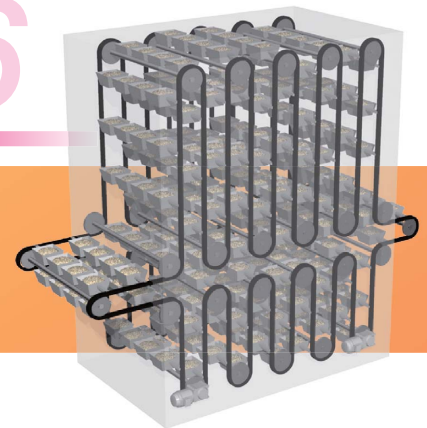
7



Cup filling machine
(puts noodles into cups)

Pg. 8

6



Accumulator

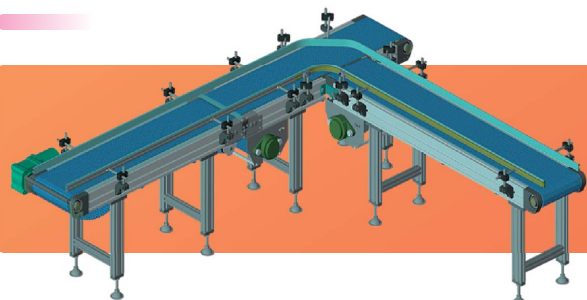
Pg. 7

8



Packer
(packs cups)

9



Transfer

Pg. 9

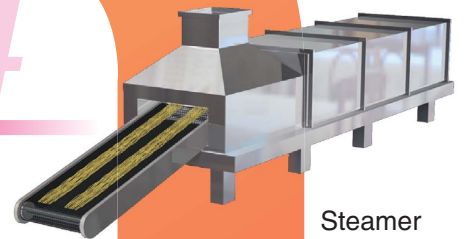
A wide range of processes are used in noodle production lines and many of our products play an important role in those processes.

3



Slitter
(slits noodles)

4



Steamer
(steams noodles)

Pg. 4

Fryer and dryer
(for fried noodles)



Pg. 5

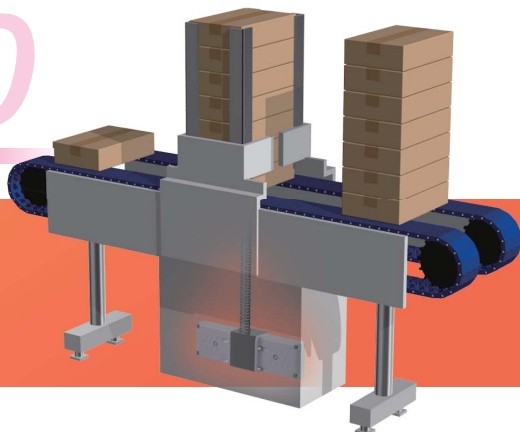
5



Hot air dryer
(for non-fried noodles)

Pg. 6

10

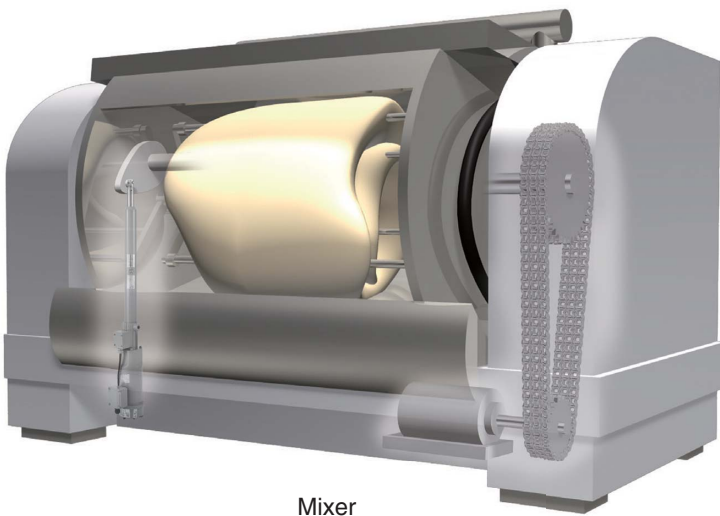


Cardboard stacker

Pg. 10

Mixer and Roller

Dough is made using a machine called a mixer that stirs wheat flour, water, salt, and other ingredients. A roller is used in the process that spreads this dough into a thin sheet. The dough is spread gradually to make springy noodles. With their ability to satisfy a wide range of needs, Tsubaki's chains and reducers are used to drive mixers and rollers.

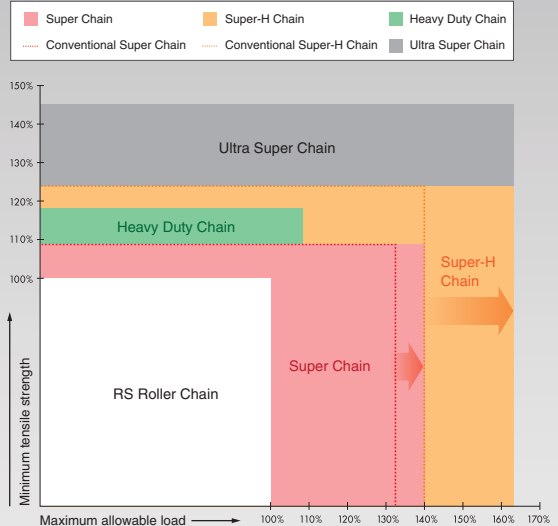


Mixer

Heavy Duty Drive Chains & Sprockets

Tsubaki Heavy Duty Drive Chains offer a higher maximum allowable load and higher minimum tensile strength than RS Roller Chains.

- Comparison of minimum tensile strength and maximum allowable load
*At 100% RS Roller Chain minimum tensile strength and maximum allowable load.



Small Size Gear Motor



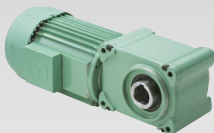
Various gear motors are used in the drive of the roller that spreads noodles in a thin sheet.

Hypoid Motor

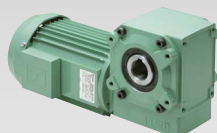
- The right-angle hollow shaft saves space.
- A wide variety to support high efficiency and high reduction ratios.

Croise Motor

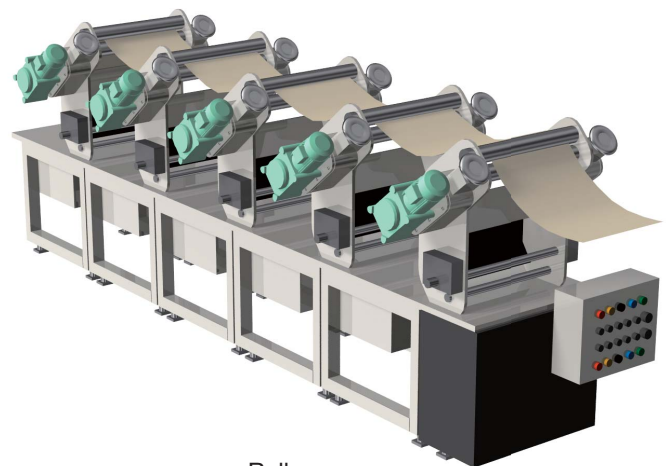
- A worm gear is used to achieve durability and silent operation.



Hypoid Motor



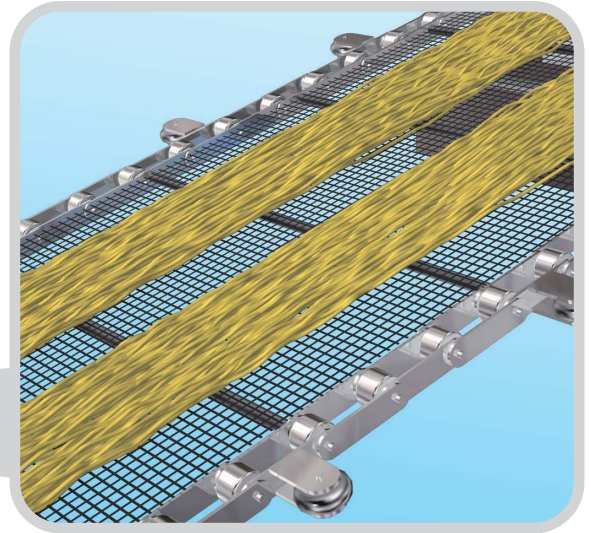
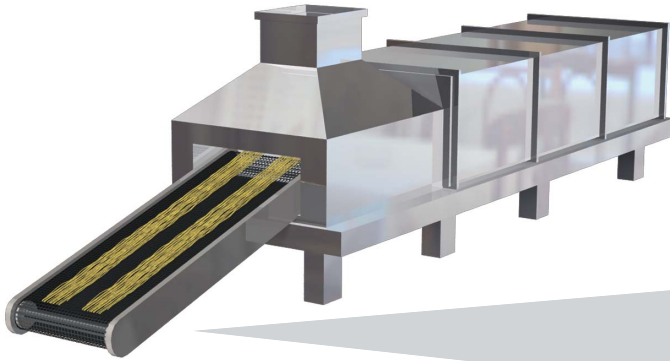
Croise Motor



Roller

Steamer

Thinly cut noodles are passed through a steamer. Because the steamer contains a hot and steamy atmosphere close to 100°C, various stainless steel small size conveyor chains are used against high temperature and corrosion.

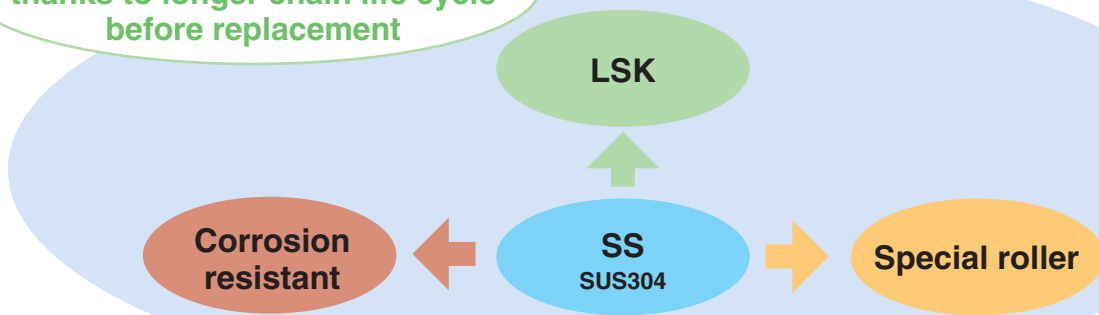


LSK Series



Special wear-resistant, engineering plastic bushes reduce wear elongation, extend life and reduce initial elongation of the chain.

Lower replacement costs thanks to longer chain life cycle before replacement



Anti-stress corrosion cracking

Problems resulting from stress corrosion cracking can be prevented by changing chain materials.

- NS Series (SUS316)
- Special SUS

Special roller

Use of special specification rollers leads to lower friction resistance and significantly reduced chain load.

- KV plastic rollers
- Special SUS rollers

Fryer

To make fried noodles, steamed noodles are fed in chop off dies one serving at a time and fried in oil. Here you'll find Tsubaki Double Pitch products as well Lini Power Jacks to open and close the lid during equipment wash-downs, couplings, and Miter Gear Boxes being used.

Jack Systems

Mechanically synchronized, accurate, and stable lifting equipment can be created by interlocking multiple jacks in an arrangement suited to the size of the lifter and the nature of the load. Tsubaki also offers a complete line-up of drive parts to select a jack system.



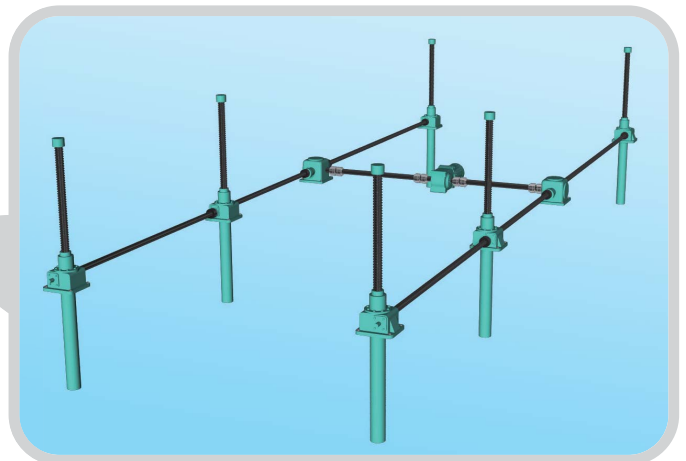
Couplings



Miter Gear Boxes



LINIPOWER® Jack(s)

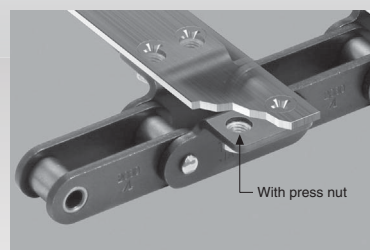


Chains with Special Attachments (integrated attachments)

Special attachments can be attached to match the variety of jigs that are attached to the chain. This reduces installation and replacement man hours.



With stay pins



Press nut attachment

Dryer

To make non-fried noodles, the noodles are not fried in oil but dried by hot air. Stainless steel and lube-free Lambda Chains are widely used to counter the high temperatures and corrosion resulting from washing.

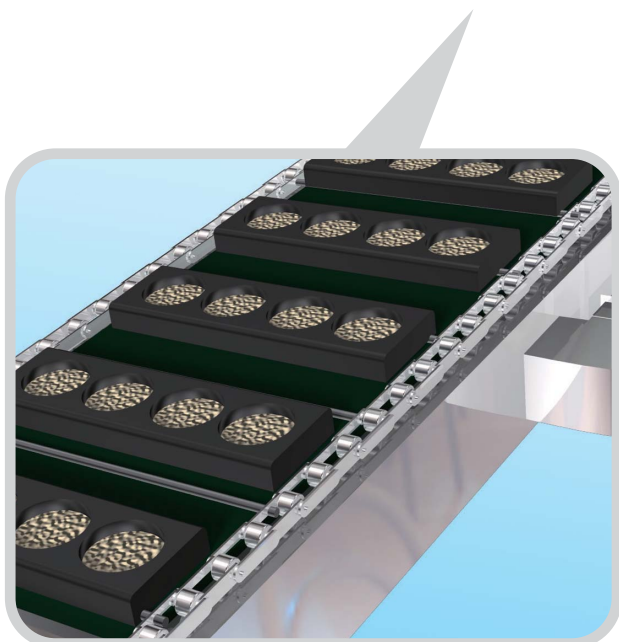
Corrosion Resistant Small Size Conveyor Chains

KF Lambda Chain

KF Lambda Chain uses an oil-impregnated bush that withstands volatility and degradation even in normal to high temperature environments (especially from 150 to 230°C). This chain provides long life even in environments where additional lubrication is impossible. The special oil impregnated bushes use NSF-H1 certified oil for food conveyance.

Lambda Stainless Steel Chain

Stainless steel chains are also available to prevent rusting on chain plates due to moisture generated from noodles in the drying process.



Shock Monitor

Tsubaki's Shock Monitor, a power monitoring electrical overload protector, can detect even a subtle load change caused by lack of chain lubrication, which can alert you to insufficient lubrication and lubrication timing.



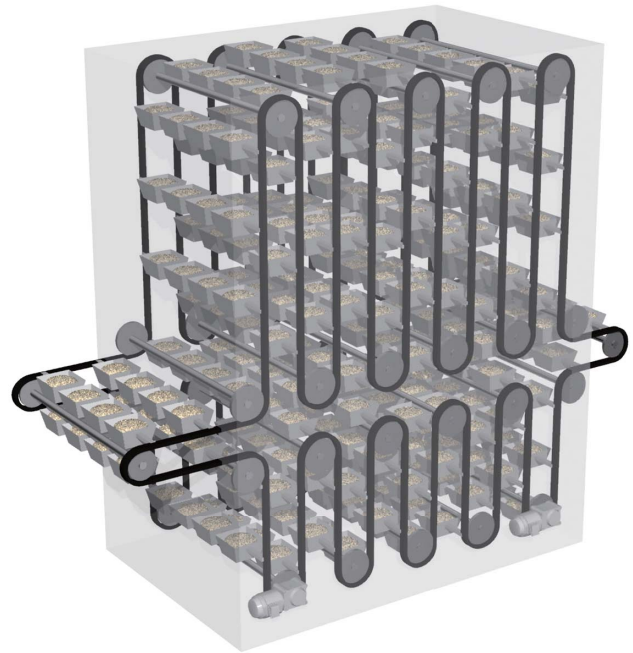
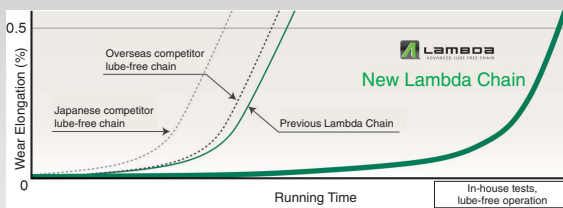
Accumulator

An accumulator retains workpieces to accurately put noodles into cups after the dryer and cooler and to prevent stopped production in a previous process even in the case of a failure in a later process.

LAMBDA Chain



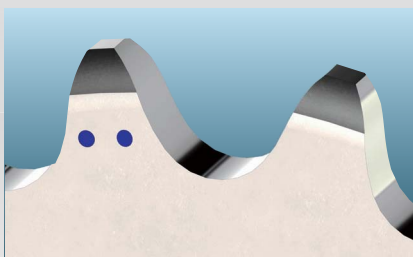
It is difficult to add lubricant to an accumulator because the machine is located close to products. With LAMBDA Chain, special oil impregnated bushes use NSF-H1 certified oil for use on food equipment as standard specifications, contributing to food safety.



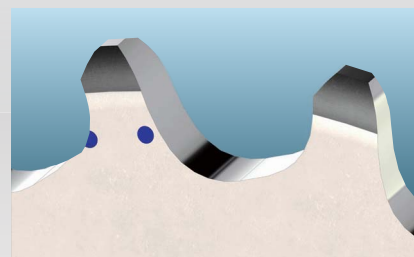
Sprocket with Wear Limit Marks for the Food Industry

Patented (JP, US, CN)

In some cases, the condition of chains is managed but not the condition of sprockets. Tsubaki's sprocket with wear limit marks shows wear limits on the tooth profile (with drilled holes and special ink coloring) so that you can see wear conditions at a glance. These marks are also helpful for understanding the replacement timing, reducing maintenance man hours and extending chain life.



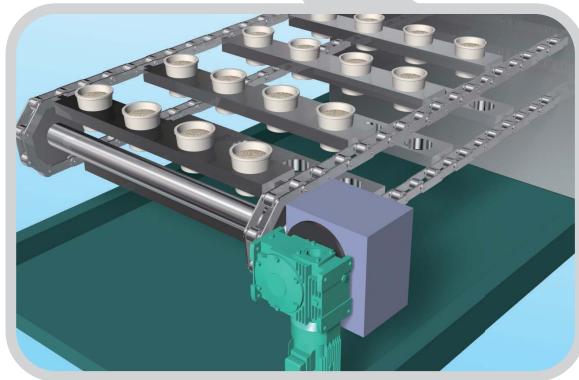
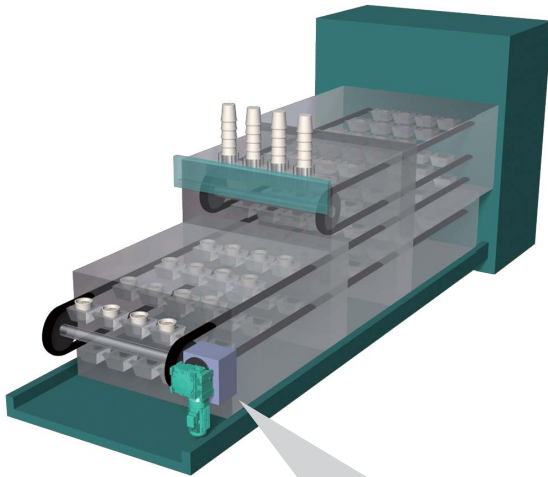
Conditions of a new sprocket



Worn conditions

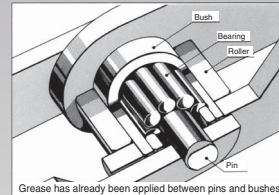
Cup Filling Machine

The process to fill cooked noodles into cups requires high precision indexing operation to fill them accurately, one serving at a time. Tsubaki's Bearing Bush Chain is ideal for this operation. Our lube-free, long life X-Lambda Chain is also used because the cup filling machine is long and located near products.



Bearing Bush Chain

Needle bearings are installed between pins and bushes. This specification produces very little wear elongation and is ideal for indexing operations that requires high precision positioning.



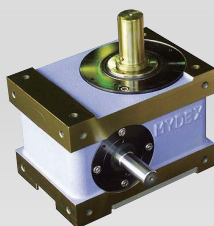
Long Life Lambda Chain (X-Lambda)

Special oil impregnated felt seals suppress wear elongation significantly, which is effective in preventing mispositioning due to an elongated chain and extending chain life.



MYDEX® Indexers and Worm Gear Reducers

Indexing operation is required in the process to attach top lid seals to the cups. Tsubaki's MYDEX Indexer, a high precision, high rigidity cam-type indexing drive unit uses worm reducers and high precision gears, making them perfect for this operation. We also offer TERVO Series electric servomotor reducers, which can be mounted easily when a servomotor is used.



Indexer



Worm Power Drive®

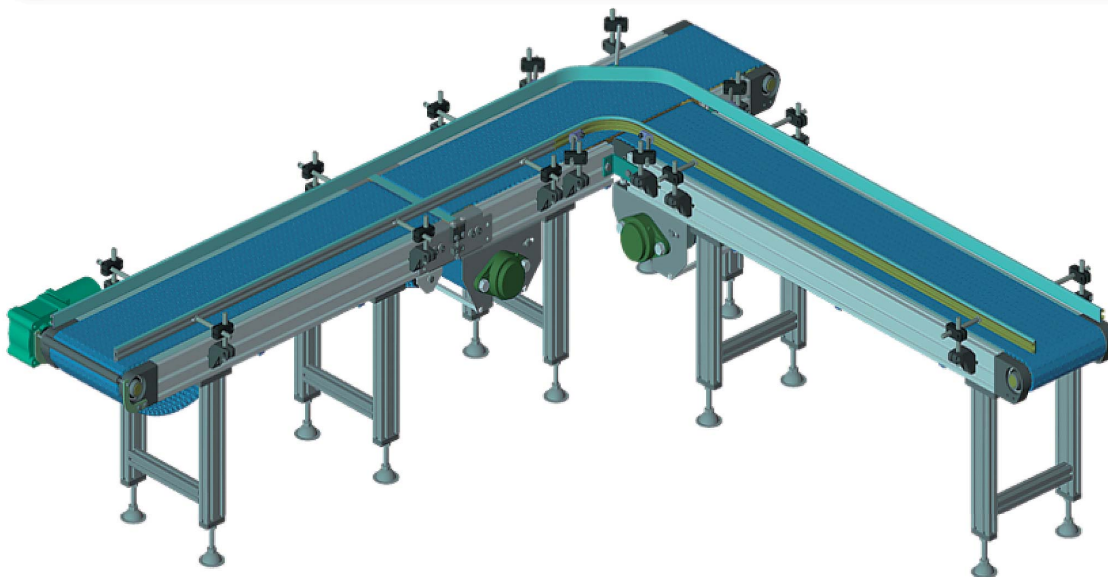
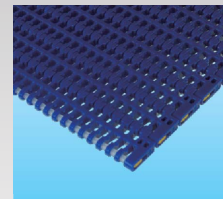
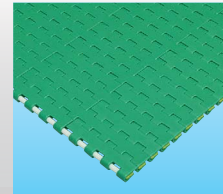
Transfer

To convey packaged products and cardboard boxes, Plastic Modular Chain is used as it is easier to use than belt conveyors.

Plastic Modular Chain

Compared to a belt conveyor:

- Reduced snaking and slippage due to sprocket driving.
- Link structure makes partial repair possible and maintenance easy.
- Workpieces are less prone to damage thanks to lower friction.
- Higher wear resistance and longer life without deterioration such as frayed ends.



Reducers for Food Applications

- Antimicrobial coating to protect from germs.
- NSF-certified H1 grease is used to contribute to food safety.



Hypoid Motor
for food applications

Other

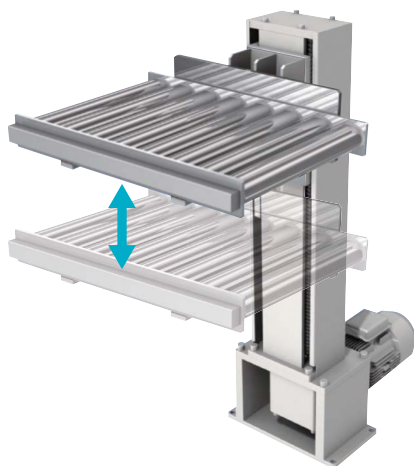
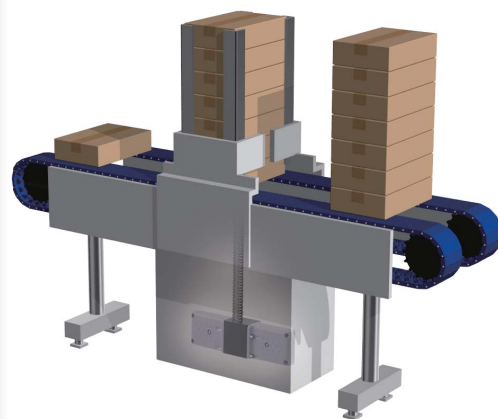
Tsubaki offers ideal products that meet a wide variety of requirements for lifting/lowering conveyors, opening/closing lids, and performing various other tasks. These products include Tsubaki's original linear actuator, the Zip Chain Actuator; the screw-type plug-and-play Lift Master with a built-in linear guide; and the all-in-one Zip Master with a zip chain and built-in guide.

ZIP CHAIN ACTUATOR®

Our unique structure uses two chains to offer the following advantages compared to conventional pneumatic and hydraulic cylinders:

- Unparalleled space savings
- Energy savings
- High speed and multi-point stopping
- Free mounting direction

Thanks to the above features, this linear actuator is used in a wide variety of applications.



LIFT MASTER

- Featuring a screw shaft and a linear guide with a high-rigidity frame in a compact design, the Lift Master is a great way to save space.
- As a plug-and-play product, the Lift Master can greatly reduce user design, assembly, and installation time, making it ideal for sudden layout changes.

ZIP MASTER

The cantilever electric lifter of the Zip Master integrates a zip chain, a linear guide, and a motor, enabling high-speed/high-frequency lifting and lowering in a space-saving design.





TSUBAKIMOTO CHAIN CO.

Japan	Tsubakimoto Chain Co.	https://tsubakimoto.com/
-------	-----------------------	---

Global Group Companies

AMERICAS

United States	U.S. Tsubaki Power Transmission, LLC	https://www.ustsubaki.com/
Brazil	Tsubaki Brasil Equipamentos Industriais Ltda.	https://tsubaki.ind.br/
Canada	Tsubaki of Canada Limited	https://tsubaki.ca/

EUROPE

Netherlands	Tsubakimoto Europe B.V.	https://tsubaki.eu/
France	Kabelschlepp France S.A.R.L.	https://tsubaki-kabelschlepp.com/fr-fr/
Germany	Tsubaki Deutschland GmbH	https://tsubaki.de/
	Tsubaki Kabelschlepp GmbH	https://tsubaki-kabelschlepp.com/de-de/
Italy	Kabelschlepp Italia S.R.L.	https://tsubaki-kabelschlepp.com/it-it/
Spain	Tsubaki Ibérica Power Transmission S.L.	https://tsubaki.es/
United Kingdom	Tsubakimoto UK Ltd.	https://tsubaki.eu/
Slovakia	Kabelschlepp-Systemtechnik, spol. s.r.o.	https://tsubaki-kabelschlepp.com/sk-sk/
Poland	Kabelschlepp Sp. z o.o.	https://kabelschlepp.pl/

INDIAN OCEAN RIM

Singapore	Tsubakimoto Singapore Pte. Ltd.	https://tsubaki.sg/
Australia	Tsubaki Australia Pty. Limited	https://tsubaki.com.au/
India	Tsubaki India Power Transmission Private Limited	https://en.tsubaki.in/
Indonesia	PT. Tsubaki Indonesia Trading	https://tsubaki.id/
Malaysia	Tsubaki Power Transmission (Malaysia) Sdn. Bhd.	https://en.tsubaki.my/
New Zealand	Tsubaki Australia Pty. Limited - New Zealand Branch	https://tsubaki.com.au/
Philippines	Tsubakimoto Philippines Corporation	https://en.tsubaki.ph/
Thailand	Tsubakimoto (Thailand) Co., Ltd.	https://tsubaki.co.th/
Vietnam	Tsubakimoto Vietnam Co., Ltd.	https://tsubaki.net.vn/

EAST ASIA

Republic of Korea	Tsubakimoto Korea Co., Ltd.	https://tsubakimoto-tck.co.kr/
Taiwan	Taiwan Tsubakimoto Trading Co., Ltd.	https://tsubakimoto.tw/

CHINA

China	Tsubakimoto Chain (Shanghai) Co., Ltd.	https://www.tsubaki-sh.cn/
-------	--	---
