



# Tsubaki Power and Performance

## For the Medical Equipment Industry



**TSUBAKIMOTO CHAIN CO.**

# A wide range of Tsubaki products support the needs of the medical industry.

Meeting customers' needs for quality and functionality and contributing to the creation of reliable equipment.

Tsubaki's extensive line-up of products supports every function of medical equipment, taking advantage of the company's many successes and experience with various applications.

Contact a Tsubaki representative to learn more about the total solutions we can provide when developing new equipment or reviewing existing models.

## Tsubaki products for medical equipment needs

Need	Applicable products	Features
Silence	Worm Power Drive®	Reduces vibration and noise thanks to the sliding contact of a worm gear.
	CABLEVEYOR® TKR Series	Quiet thanks to its flexible structure that makes use of the flexibility of plastic.
Safety	Worm Power Drive®	Maintains load using a self-locking worm gear.
	Power Cylinder	Maintains load using a mechanical brake and self-locking worm gear.
Compactness	ZIP CHAIN ACTUATOR®	Allows installation in narrower spaces than with linear actuators.

### ■ What is "self-locking?"

A worm reducer is said to be self-locking if the input shaft does not begin to turn when force is applied to the output shaft to turn it from a standstill condition.

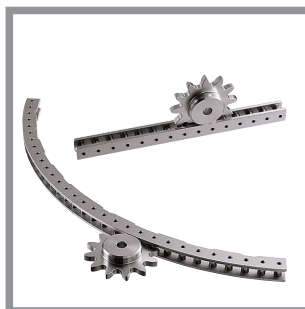
## Elevating



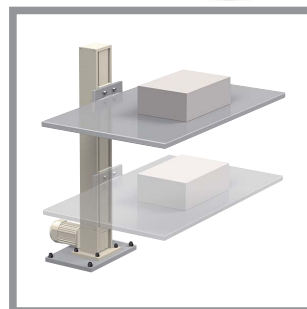
Power Cylinder



ZIP CHAIN LIFTER®



Pin Gear Drive Unit



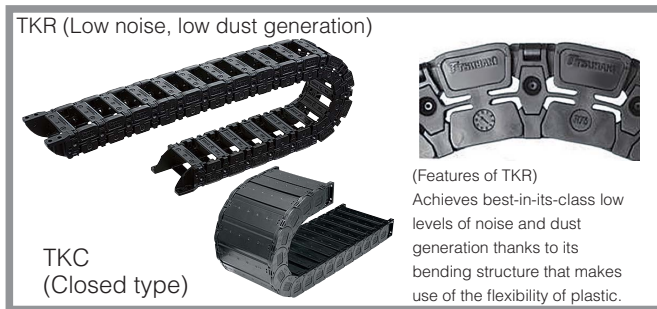
Electric Cantilever Lifter



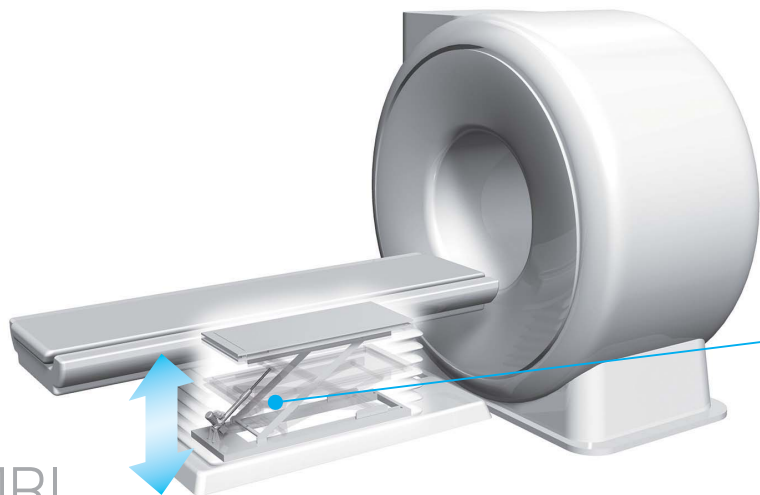
Worm Power Drive®



Coupling



CABLEVEYOR®



MRI  
Nuclear Magnetic Resonance  
Imaging Equipment

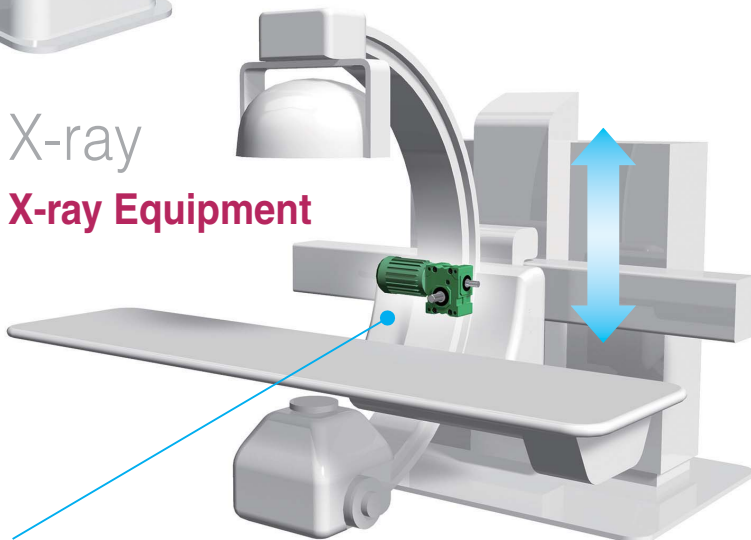
Power Cylinder

Self-locking

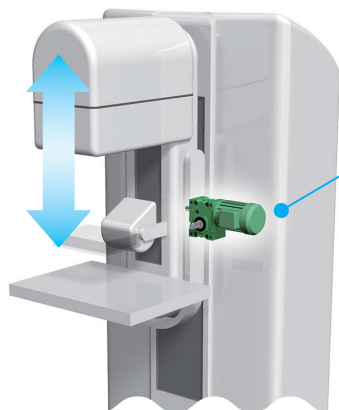
Silent

You can save space by using a Power Cylinder. The integrated self-locking worm gear also contributes to increased safety and quieter operation.

X-ray  
X-ray Equipment



Mammography  
Mammography



Worm Power Drive®

Self-locking

Silent

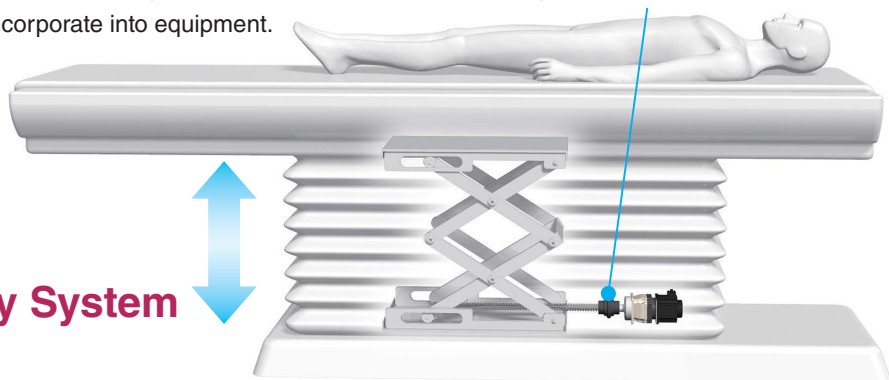
Safe and silent thanks to a self-locking worm reducer. Allows for smooth movement of the equipment.

ECHT-FLEX®

No Backlash

Backlash-free and thus ideal for elevating a bed into position. This disc-type coupling can absorb deflection, parallel eccentricity, and axial displacement, and is easy to incorporate into equipment.

CT  
Computed Tomography System



### Providing Combined Equipment

We offer multi-functional modules each combining the optimal selection of products from Tsubaki Group's expansive line-up. From X-ray generators to bed lifts, Tsubaki offers solutions to customer needs.



ZIP CHAIN LIFTER®



Elevating Lifter

# Transferring



ZIP CHAIN ACTUATOR®



Pin Gear Drive Unit



Chains and Sprockets



CLEANVEYOR®



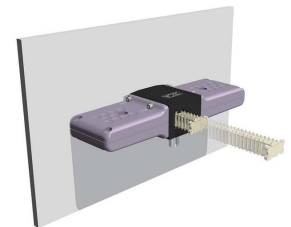
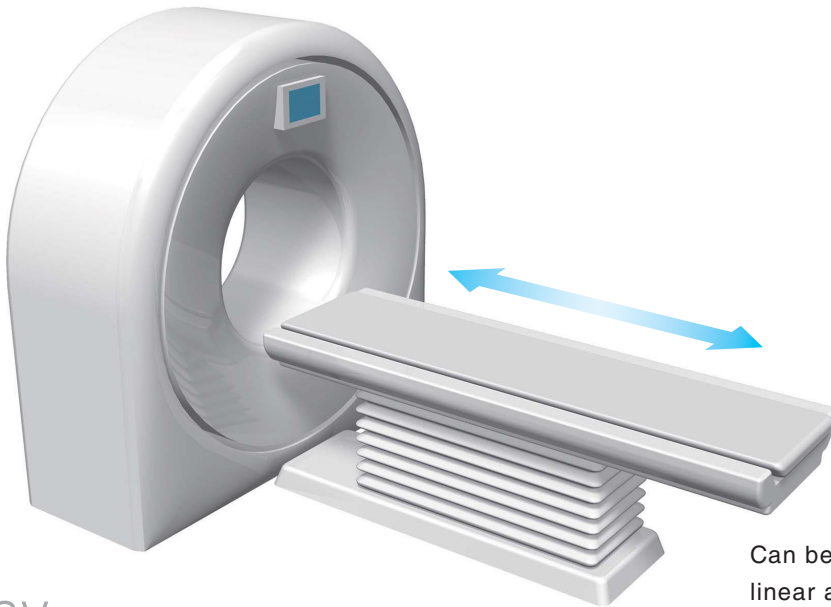
Belts and Pulleys



POWER-LOCK®



CABLEVEYOR®

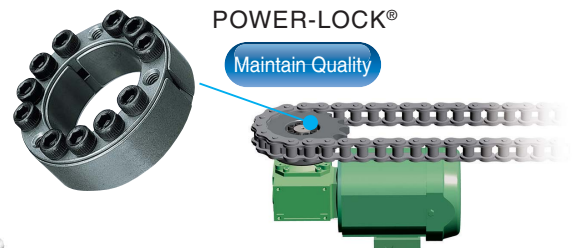
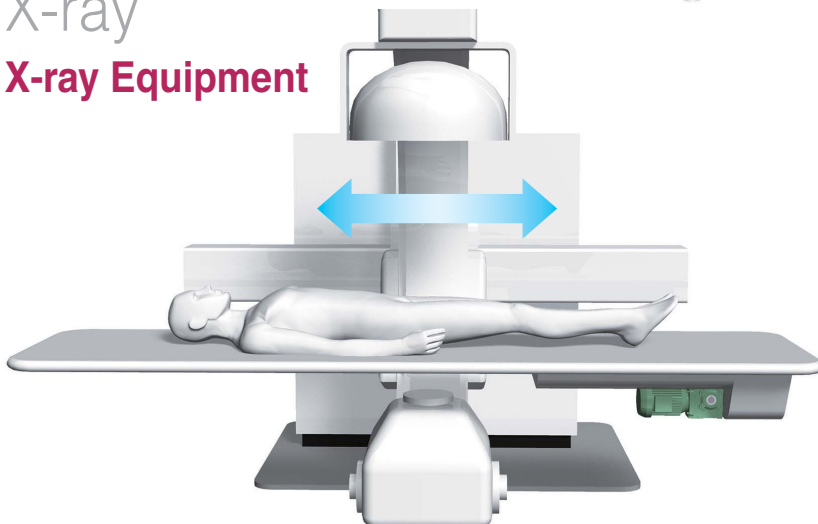


ZIP CHAIN ACTUATOR®

Horizontal Use Compact

Can be installed in narrower spaces than linear actuators.  
It can be installed in any direction, so it can also be used on rotating equipment.

## X-ray X-ray Equipment



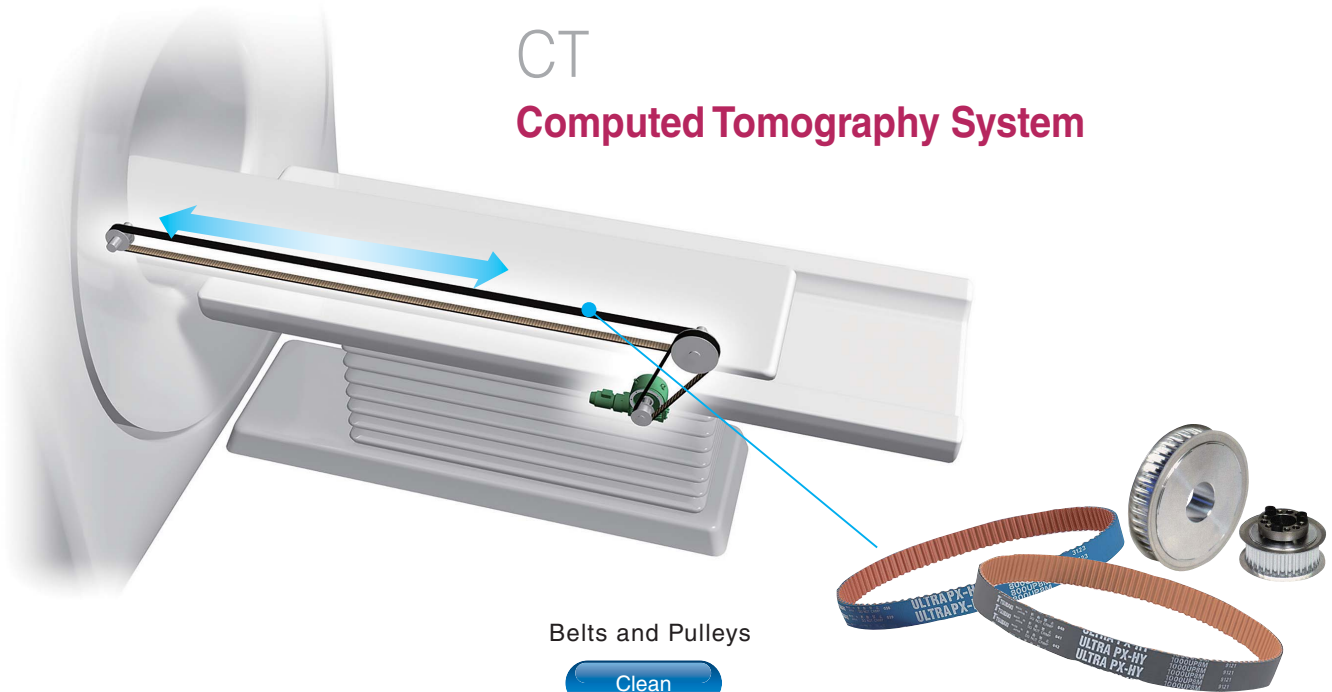
POWER-LOCK®

Maintain Quality

You can eliminate backlash by using "POWER-LOCK". Unlike keyways, "POWER-LOCK" doesn't suffer from backlash even in forward-reverse operations, and thus can safely transfer a bed without loss of performance.

CT

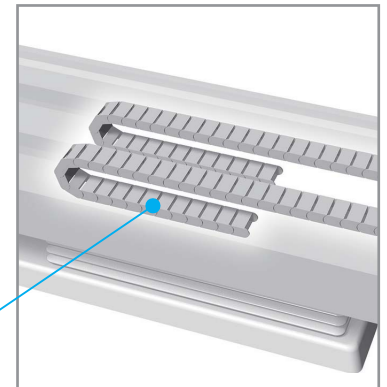
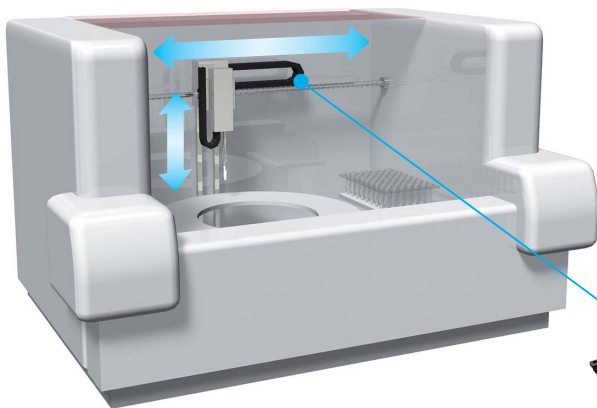
## Computed Tomography System



Belts and Pulleys

Clean

A bed can be moved over long strokes by using a long belt. Belts are quiet and allow for clean operation.



Low noise, low dust "CABLEVEYOR" cable carriers help maintain quiet, clean operations, and can transfer beds smoothly. Available in white upon request.

## Specimen Equipment

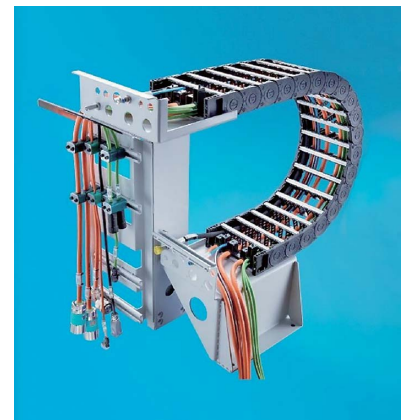
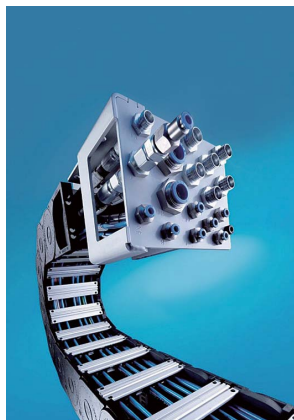
### Specimen Equipment

CABLEVEYOR®

Silent

## TOTAL TRAX®

"TOTAL TRAX" is a complete harnessed system featuring a cable carrier and cables/hoses. Cables/hoses with end connectors attached are delivered together with the cable carrier as a set, allowing for quick installation on machinery and equipment. TotalTrax allows users to source from just one supplier and reduce ordering time.



# Tilting



Power Cylinder

Self-locking

Silent

A Power Cylinder is used to tilt a gantry and enable image processing for difficult-to-image parts of the body. It offers both safe and silent operation by using a self-locking worm gear.



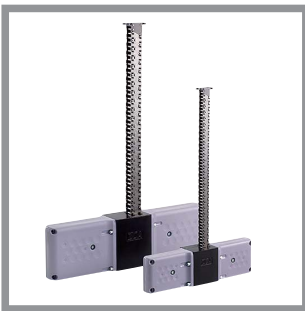
Power Cylinder



CT

Computed Tomography System

# Hanging



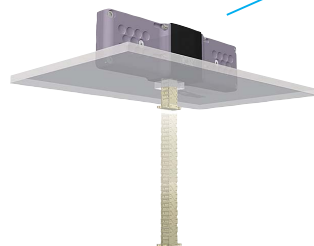
ZIP CHAIN ACTUATOR®

Compact

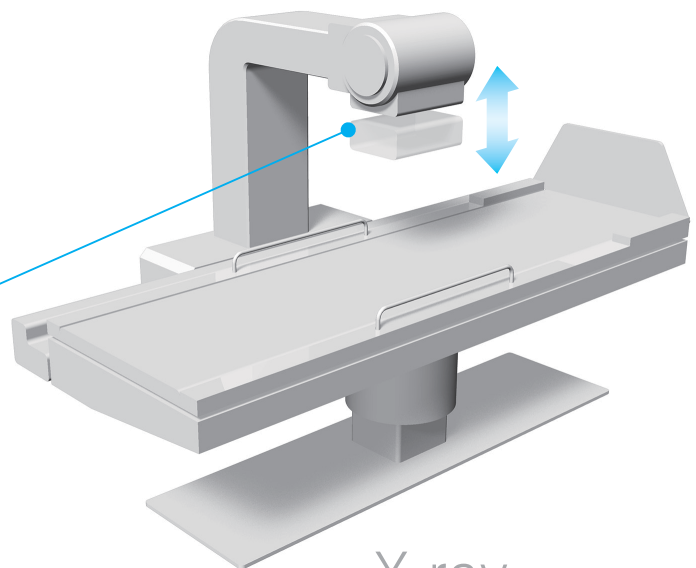
Can be installed in narrower spaces than linear actuators. It can be installed in any direction, so it can also be used on rotating equipment.



Chains and Sprockets



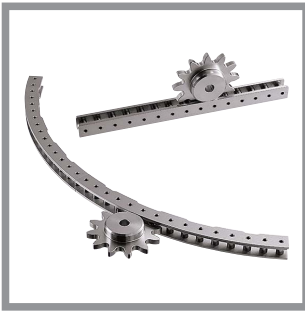
ZIP CHAIN ACTUATOR®  
Hanging Use



X-ray

X-ray Equipment

# Rotating



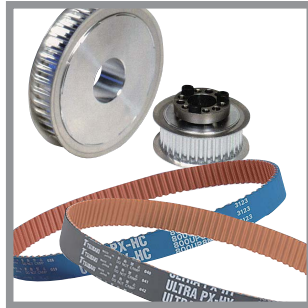
Pin Gear Drive Unit



Worm Power Drive®



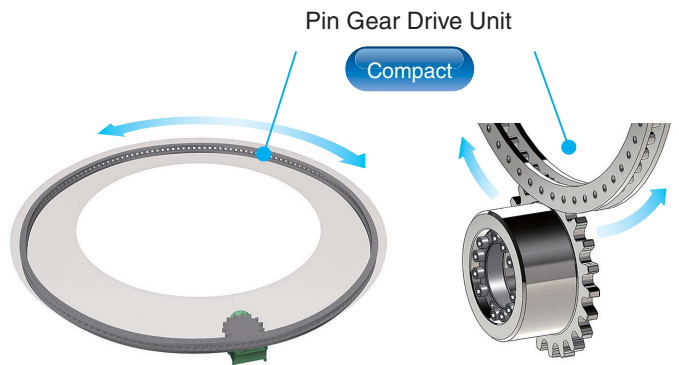
POWER-LOCK®



Belts and Pulleys



Mini Keeper

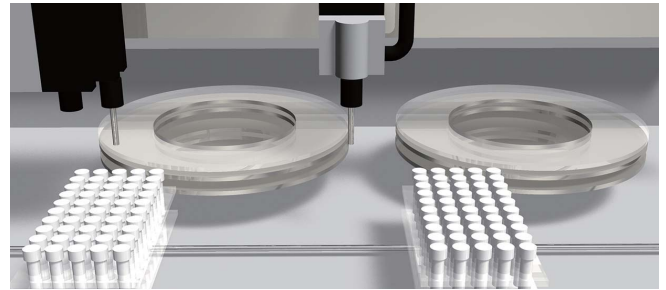


Pin Gear Drive Unit

Compact

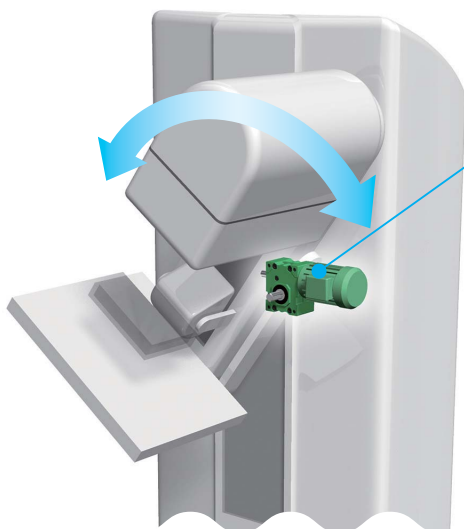
The gear is installed on the inner side, allowing for compact specimen equipment design.

Pin Gear Drive Units with the gear installed on the outer side are also available.



## Specimen Equipment

### Specimen Equipment



## Mammography

### Mammography

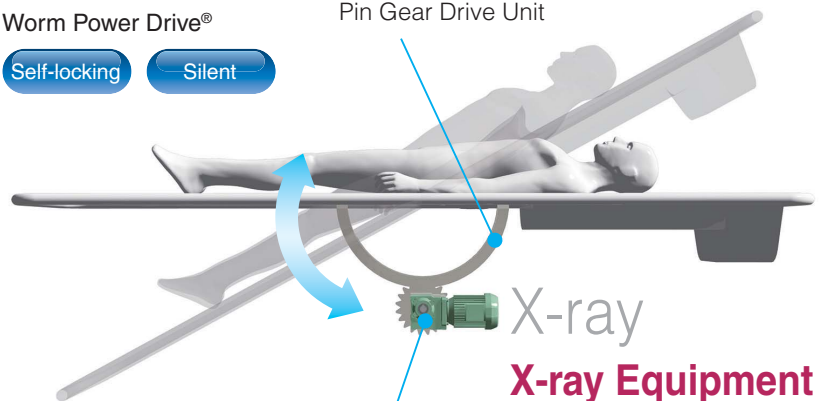
In mammography equipment, a worm reducer is used for swiveling, compression and lifting, while its self-locking features make it safe and quiet, putting patients at ease.

Worm Power Drive®

Self-locking

Silent

Pin Gear Drive Unit



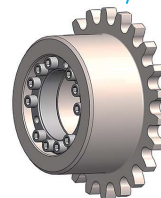
## X-ray

### X-ray Equipment

POWER-LOCK®

Maintains Quality

You can eliminate backlash by using "POWER-LOCK". Unlike keyways, "POWER-LOCK" doesn't suffer from backlash even in forward-reverse operations, and thus can safely rotate a bed without loss of performance.





---

## TSUBAKIMOTO CHAIN CO.

Japan	Tsubakimoto Chain Co.	<a href="https://tsubakimoto.com/">https://tsubakimoto.com/</a>
-------	-----------------------	---

---

### Global Group Companies

#### AMERICAS

United States	U.S. Tsubaki Power Transmission, LLC	<a href="https://www.ustsubaki.com/">https://www.ustsubaki.com/</a>
Brazil	Tsubaki Brasil Equipamentos Industriais Ltda.	<a href="https://tsubaki.ind.br/">https://tsubaki.ind.br/</a>
Canada	Tsubaki of Canada Limited	<a href="https://tsubaki.ca/">https://tsubaki.ca/</a>

#### EUROPE

Netherlands	Tsubakimoto Europe B.V.	<a href="https://tsubaki.eu/">https://tsubaki.eu/</a>
France	Kabelschlepp France S.A.R.L.	<a href="https://tsubaki-kabelschlepp.com/fr-fr/">https://tsubaki-kabelschlepp.com/fr-fr/</a>
Germany	Tsubaki Deutschland GmbH	<a href="https://tsubaki.de/">https://tsubaki.de/</a>
	Tsubaki Kabelschlepp GmbH	<a href="https://tsubaki-kabelschlepp.com/de-de/">https://tsubaki-kabelschlepp.com/de-de/</a>
Italy	Kabelschlepp Italia S.R.L.	<a href="https://tsubaki-kabelschlepp.com/it-it/">https://tsubaki-kabelschlepp.com/it-it/</a>
Spain	Tsubaki Ibérica Power Transmission S.L.	<a href="https://tsubaki.es/">https://tsubaki.es/</a>
United Kingdom	Tsubakimoto UK Ltd.	<a href="https://tsubaki.eu/">https://tsubaki.eu/</a>
Slovakia	Kabelschlepp-Systemtechnik, spol. s.r.o.	<a href="https://tsubaki-kabelschlepp.com/sk-sk/">https://tsubaki-kabelschlepp.com/sk-sk/</a>
Poland	Kabelschlepp Sp. z o.o.	<a href="https://kabelschlepp.pl/">https://kabelschlepp.pl/</a>

#### INDIAN OCEAN RIM

Singapore	Tsubakimoto Singapore Pte. Ltd.	<a href="https://tsubaki.sg/">https://tsubaki.sg/</a>
Australia	Tsubaki Australia Pty. Limited	<a href="https://tsubaki.com.au/">https://tsubaki.com.au/</a>
India	Tsubaki India Power Transmission Private Limited	<a href="https://en.tsubaki.in/">https://en.tsubaki.in/</a>
Indonesia	PT. Tsubaki Indonesia Trading	<a href="https://tsubaki.id/">https://tsubaki.id/</a>
Malaysia	Tsubaki Power Transmission (Malaysia) Sdn. Bhd.	<a href="https://en.tsubaki.my/">https://en.tsubaki.my/</a>
New Zealand	Tsubaki Australia Pty. Limited - New Zealand Branch	<a href="https://tsubaki.com.au/">https://tsubaki.com.au/</a>
Philippines	Tsubakimoto Philippines Corporation	<a href="https://en.tsubaki.ph/">https://en.tsubaki.ph/</a>
Thailand	Tsubakimoto (Thailand) Co., Ltd.	<a href="https://tsubaki.co.th/">https://tsubaki.co.th/</a>
Vietnam	Tsubakimoto Vietnam Co., Ltd.	<a href="https://tsubaki.net.vn/">https://tsubaki.net.vn/</a>

#### EAST ASIA

Republic of Korea	Tsubakimoto Korea Co., Ltd.	<a href="https://tsubakimoto-tck.co.kr/">https://tsubakimoto-tck.co.kr/</a>
Taiwan	Taiwan Tsubakimoto Trading Co., Ltd.	<a href="https://tsubakimoto.tw/">https://tsubakimoto.tw/</a>

#### CHINA

China	Tsubakimoto Chain (Shanghai) Co., Ltd.	<a href="https://www.tsubaki-sh.cn/">https://www.tsubaki-sh.cn/</a>
-------	--	---

---